



# STERRAD NX™

with  **ALLClear™**  
TECHNOLOGY



## Productive

REDUCES WORKFLOW  
INTERRUPTIONS



## Connected

ENHANCES COMPLIANCE  
AUTOMATICALLY\*



## Easy

DESIGNED WITH SIMPLICITY IN  
MIND TO REDUCE THE POTENTIAL  
FOR HUMAN ERROR

\*STERRAD™ Systems with ALLClear™ Technology have features that may enhance compliance, including greater adherence to device IFUs and improved record handling.

# Installation & electrical requirements

HEAT GENERATION	<b>Maximum:</b> 1012 BTU/hour
ELECTRICAL POWER SPECS	One dedicated single phase 50/60 Hz, voltage +/- 10%, 2+ ground outlet per the following countries: <ul style="list-style-type: none"> <li>• US/Canada: 120 VAC, 16A (recommended receptacle: NEMA 5-20R)</li> <li>• Japan: 200 VAC, 10A</li> <li>• International: 200-240 VAC, 10A; 110-120 VAC, 16A</li> </ul>
SERVICE SPACE AND INSTALLATION REQUIREMENTS (SPACE CAN BE REDUCED IF THE SYSTEM CAN BE MOVED FOR SERVICING.)	<b>Top:</b> 610 mm minimum <b>Left side:</b> <ul style="list-style-type: none"> <li>• Table installed: 60 mm minimum from sterilizer side</li> <li>• Cart installed: 100 mm minimum from cart side</li> </ul> <b>Right side:</b> <ul style="list-style-type: none"> <li>• Table installed: 610 mm minimum from sterilizer side (Objects placed within this region must be moved during service. Area can be divided up into space on left and right sides.)</li> <li>• Cart installed: 100 mm minimum from cart side</li> </ul> <b>Back side:</b> 25.4 mm minimum <b>Front:</b> 1000 mm minimum from front of sterilizer
COUNTERTOP/TABLE SPECIFICATIONS	Structure must be able to support a minimum of 182 kg, and have a minimum depth of 584 mm

## Operational Environment

TEMPERATURE	18°C – 35°C
HUMIDITY	10% – 85% RH (non-condensing)

## Networking & Data Recording

SYSTEM PERFORMANCE DATA AND REPORTS	Cycle history, full 1-second data files, and reports available via ASP ACCESS™ Technology
NETWORK CONNECTIVITY	Communication protocol for Instrument Tracking Systems (ITS) available via ASP ACCESS™ Technology
DATA RECORDING	<ul style="list-style-type: none"> <li>• Electronic data storage up to 50 cycles</li> <li>• Internal printer for manual recordkeeping</li> <li>• Full electronic cycle data and reports via ASP ACCESS™ Technology</li> </ul>

## System Ordering Information

CODE	PRODUCT DESCRIPTION
10033-004	STERRAD NX™ Sterilization System with ALLClear™ Technology, STANDARD & ADVANCED cycles, includes installation
10311	STERRAD NX™ Sterilization System with ALLClear™ Technology Cart
10133	STERRAD NX™ System Cassette (5 cassettes/case)
113617-01	STERRAD™ Systems Bar Code Scanner Kit
10306	Cassette disposal box
10305	Thermal printer paper



# Cycle Specifications\*

CYCLES	<b>Standard:</b> sterilizes most general surgical instruments <b>Advanced:</b> sterilizes single-channel rigid endoscopes or up to 1 single-channel flexible endoscope
TIME	<b>Standard:</b> 28 minutes <b>Advanced:</b> 38 minutes
LUMEN CLAIMS	<b>Standard:</b> single-channel stainless steel lumens diameter: .1 mm; length: ~150 mm OR diameter: .2 mm; length: ~400 mm <b>Advanced:</b> single-channel stainless steel lumens diameter: .1 mm; length: ~500 mm OR single-channel PE/PTFE flexible endoscopes diameter: .1 mm; length: ~850 mm

# Technical Specifications

CYCLE TEMPERATURE	47°C–56°C
STERILANT	Hydrogen peroxide
STERILANT DELIVERY	Delivered in closed system in cassettes with automatic detection of expiration date: <b>Standard/Advanced:</b> 3.6 mL per cycle (double kill) (2 ampules, each ampule is 1.8 mL)
USED CASSETTE DISPOSAL	Automatic and touchless ejection into cassette disposal container
PEROXIDE RESIDUAL BREAKDOWN	Gas plasma technology breaks down H <sub>2</sub> O <sub>2</sub> to safe elements of water and oxygen
CONFIGURATIONS	Single door
SYSTEM DIMENSIONS	<b>System Height:</b> 930 mm <b>Width:</b> 554 mm <b>Depth:</b> 792 mm <b>System + Cart Height:</b> 1673 mm <b>Width:</b> 576 mm <b>Depth:</b> 792 mm
CHAMBER TOTAL VOLUME	51.3 L
USABLE VOLUME	30 liters (single shelf maximum). <b>Height:</b> 157 mm <b>Width:</b> 320 mm <b>Depth:</b> 600 mm
CHAMBER SHAPE	Rectangular
SHELF INFO	<b>Two-tiered shelf:</b> <b>Width:</b> 312.8 mm <b>Depth:</b> 600.3 mm
MOBILITY (CART)	4 casters (all locking)
SYSTEM WEIGHT	<b>System:</b> 127.2 kg <b>Cart:</b> 65.3 kg
USER INTERFACE	<b>Touchscreen technology:</b> projected capacitive touch <b>Resolution:</b> 800 x 600 pixels
ACCESSORY DEVICES	<ul style="list-style-type: none"> <li>• Barcode reader</li> <li>• External drives: USB that allows data upload and download</li> </ul>
STANDARDS/COMPLIANCE	ISO 14937

\*Always refer to the STERRAD™ Sterility Guide ([www.sterradsterilityguide.com](http://www.sterradsterilityguide.com)) for the latest updates on instruments' validations and cycles and systems' compatibility.

# Sterilization Specifications

STERILIZATION PROCESS	Terminal-sterilization, double-kill cycle to provide a Sterility Assurance Level (SAL) of 10 <sup>-6</sup> ; 2 injections and identical plasma phases
DELIVERED STERILANT CONCENTRATION	58% – 59.5%
STERILIZATION CYCLE MONITORING	Critical system parameters monitored with on-board sensors, biological indicators, chemical indicators, IMS (independent monitoring system) available
H <sub>2</sub> O <sub>2</sub> CONCENTRATION CONTINUOUS MONITORING	Monitoring using UV sensor within the chamber

## For more information

Visit [www.asp.com](http://www.asp.com) or contact your local **ASP** representative

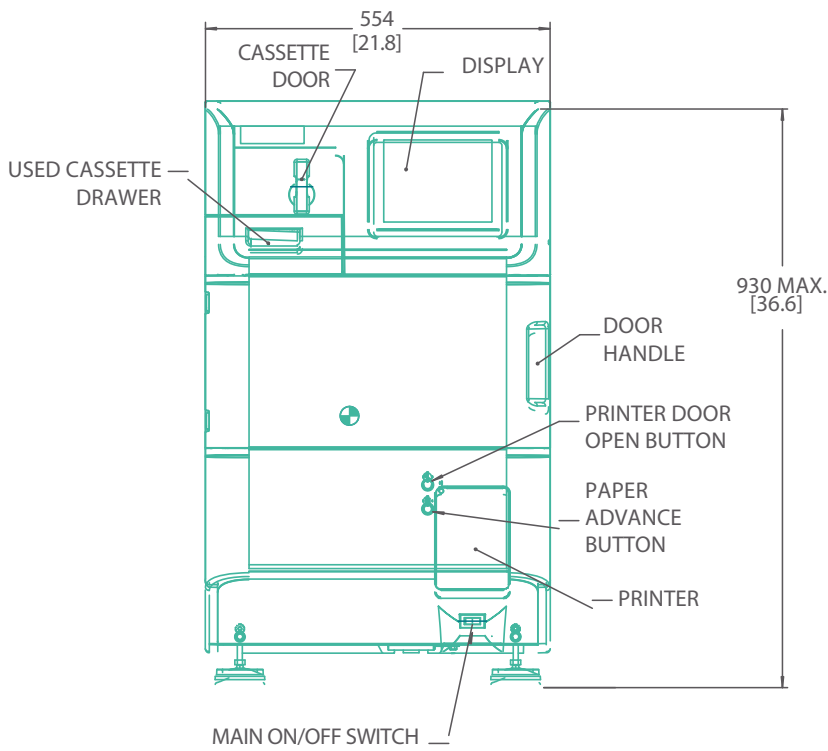




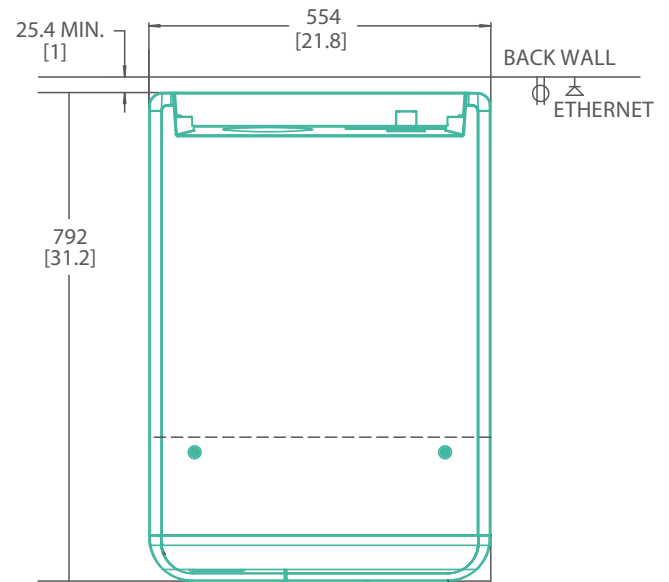
# Space Planning Dimensions

## LEGEND

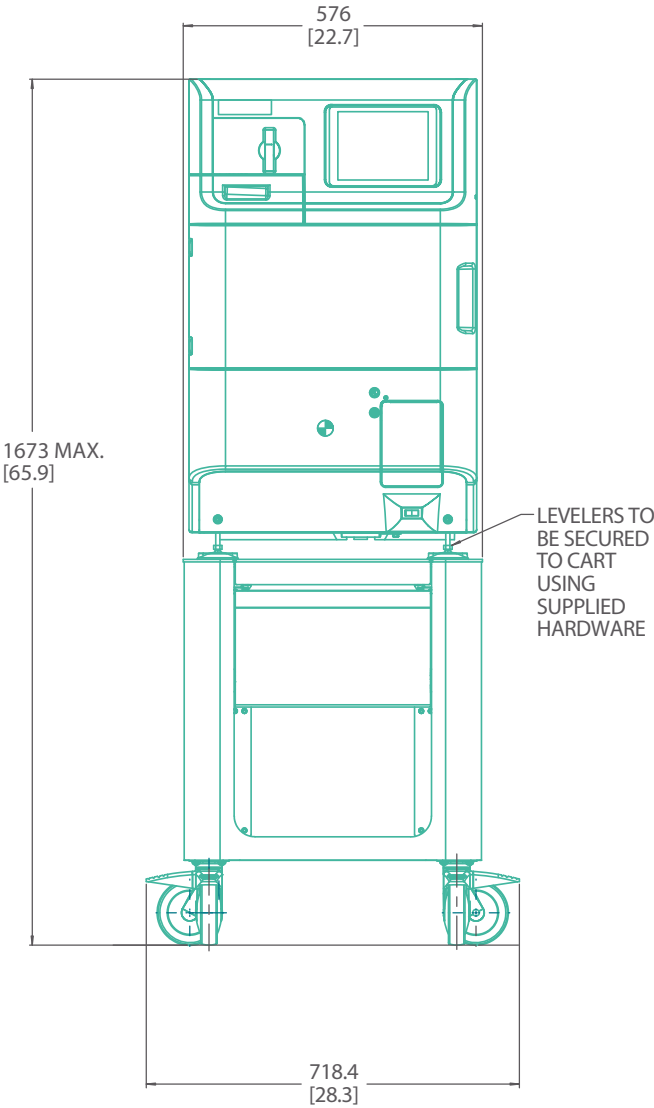
Millimeters  
[Inches]



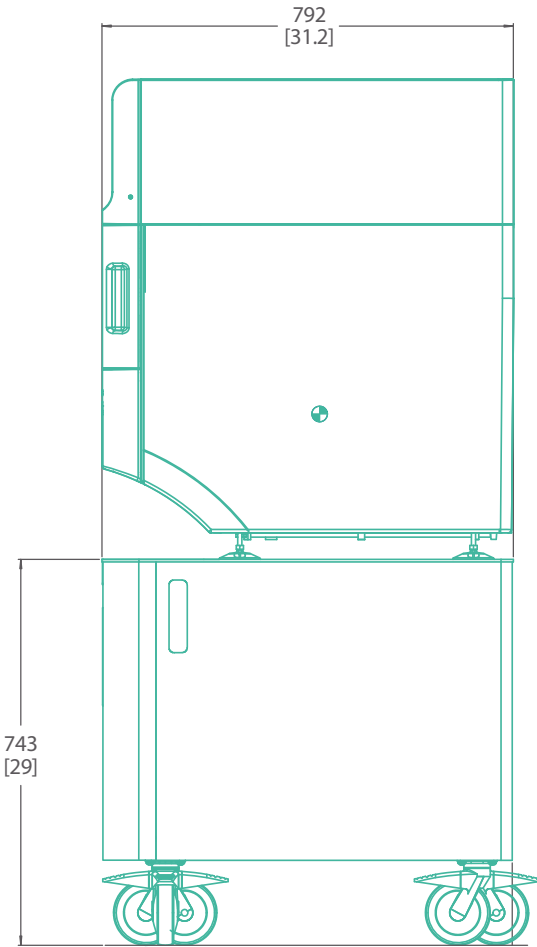
FRONT VIEW  
COUNTER TOP/TABLE INSTALLATION



TOP VIEW  
COUNTER TOP/TABLE INSTALLATION



FRONT VIEW  
CART INSTALLATION



SIDE VIEW  
CART INSTALLATION

**STERRAD NX**™ with






[asp.com](http://asp.com)

**ASP** Advanced Sterilization Products

ASP International GmbH, Zug Branch  
Bahnhofstrasse 2, Zug 6300, Switzerland  
©ASP 2021. All Rights Reserved.

 ADVANCED STERILIZATION PRODUCTS, INC.  
33 Technology Drive, Irvine CA 92618, USA

 ASP, The Netherlands BV  
BIC 1, 5657 BX Eindhoven, The Netherlands

  
0123

Capitalized product names and ALLClear™ are trademarks of ASP™ Global Manufacturing, GmbH.  
Important information: Prior to use, refer to the complete Instructions for Use (IFU) supplied with the device(s)  
for proper use, indications, contraindications, warnings and precautions.

AD-170009-01-CT\_D-MDR