



STERRAD NX™



Productive

REDUCES WORKFLOW
INTERRUPTIONS



Connected

ENHANCES COMPLIANCE
AUTOMATICALLY*



Easy

DESIGNED WITH SIMPLICITY IN
MIND TO REDUCE THE POTENTIAL
FOR HUMAN ERROR

Installation & electrical requirements

HEAT GENERATION	Maximum: 1012 BTU/hour
ELECTRICAL POWER SPECS	One dedicated single phase 50/60 Hz, voltage +/- 10%, 2+ ground outlet per the following countries: <ul style="list-style-type: none"> • US/Canada: 120 VAC, 16A (recommended receptacle: NEMA 5-20R) • Japan: 200 VAC, 10A • International: 200-240 VAC, 10A; 110-120 VAC, 16A
SERVICE SPACE AND INSTALLATION REQUIREMENTS (SPACE CAN BE REDUCED IF THE SYSTEM CAN BE MOVED FOR SERVICING.)	Top: 610 mm minimum Left side: <ul style="list-style-type: none"> • Table installed: 60 mm minimum from sterilizer side • Cart installed: 100 mm minimum from cart side Right side: <ul style="list-style-type: none"> • Table installed: 610 mm minimum from sterilizer side (Objects placed within this region must be moved during service. Area can be divided up into space on left and right sides.) • Cart installed: 100 mm minimum from cart side Back side: 25.4 mm minimum Front: 1000 mm minimum from front of sterilizer
COUNTERTOP/TABLE SPECIFICATIONS	Structure must be able to support a minimum of 182 kg, and have a minimum depth of 584 mm

Operational Environment

TEMPERATURE	18°C – 35°C
HUMIDITY	10% – 85% RH (non-condensing)

Networking & Data Recording

SYSTEM PERFORMANCE DATA AND REPORTS	Cycle history, full 1-second data files, and reports available via ASP ACCESS™ Technology
NETWORK CONNECTIVITY	Communication protocol for Instrument Tracking Systems (ITS) available via ASP ACCESS™ Technology
DATA RECORDING	<ul style="list-style-type: none"> • Electronic data storage up to 50 cycles • Internal printer for manual recordkeeping • Full electronic cycle data and reports via ASP ACCESS™ Technology

System Ordering Information

CODE	PRODUCT DESCRIPTION
10033-004	STERRAD NX™ Sterilization System with ALLClear™ Technology, STANDARD & ADVANCED cycles, includes installation
10311	STERRAD NX™ Sterilization System with ALLClear™ Technology Cart
10133	STERRAD NX™ System Cassette (5 cassettes/case)
113617-01	STERRAD™ Systems Bar Code Scanner Kit
10306	Cassette disposal box
10305	Thermal printer paper



Cycle Specifications*

CYCLES	Standard: sterilizes most general surgical instruments Advanced: sterilizes single-channel rigid endoscopes or up to 1 single-channel flexible endoscope
TIME	Standard: 28 minutes Advanced: 38 minutes
LUMEN CLAIMS	Standard: single-channel stainless steel lumens diameter: ≥1 mm; length: ≤150 mm OR diameter: ≥2 mm; length: ≤400 mm Advanced: single-channel stainless steel lumens diameter: ≥1 mm; length: ≤500 mm OR single-channel PE/PTFE flexible endoscopes diameter: ≥1 mm; length: ≤850 mm

Technical Specifications

CYCLE TEMPERATURE	47°C–56°C
STERILANT	Hydrogen peroxide
STERILANT DELIVERY	Delivered in closed system in cassettes with automatic detection of expiration date: Standard/Advanced: 3.6 mL per cycle (double kill) (2 ampules, each ampule is 1.8 mL)
USED CASSETTE DISPOSAL	Automatic and touchless ejection into cassette disposal container
PEROXIDE RESIDUAL BREAKDOWN	Gas plasma technology breaks down H ₂ O ₂ to safe elements of water and oxygen
CONFIGURATIONS	Single door
SYSTEM DIMENSIONS	System Height: 930 mm Width: 554 mm Depth: 792 mm System + Cart Height: 1673 mm Width: 576 mm Depth: 792 mm
CHAMBER TOTAL VOLUME	51.3 L
USABLE VOLUME	30 liters (single shelf maximum). Height: 157 mm Width: 320 mm Depth: 600 mm
CHAMBER SHAPE	Rectangular
SHELF INFO	Two-tiered shelf: Width: 312.8 mm Depth: 600.3 mm
MOBILITY (CART)	4 casters (all locking)
SYSTEM WEIGHT	System: 127.2 kg Cart: 65.3 kg
USER INTERFACE	Touchscreen technology: projected capacitive touch Resolution: 800 x 600 pixels
ACCESSORY DEVICES	<ul style="list-style-type: none"> • Barcode reader • External drives: USB that allows data upload and download
STANDARDS/COMPLIANCE	ISO 14937

*Always refer to the STERRAD™ Sterility Guide (www.sterradsterilityguide.com) for the latest updates on instruments' validations and cycles and systems' compatibility.

Sterilization Specifications

STERILIZATION PROCESS	Terminal-sterilization, double-kill cycle to provide a Sterility Assurance Level (SAL) of 10 ⁻⁶ ; 2 injections and identical plasma phases
DELIVERED STERILANT CONCENTRATION	58% – 59.5%
STERILIZATION CYCLE MONITORING	Critical system parameters monitored with on-board sensors, biological indicators, chemical indicators, IMS (independent monitoring system) available
H ₂ O ₂ CONCENTRATION CONTINUOUS MONITORING	Monitoring using UV sensor within the chamber

For more information

Visit www.asp.com or contact your local **ASP** representative

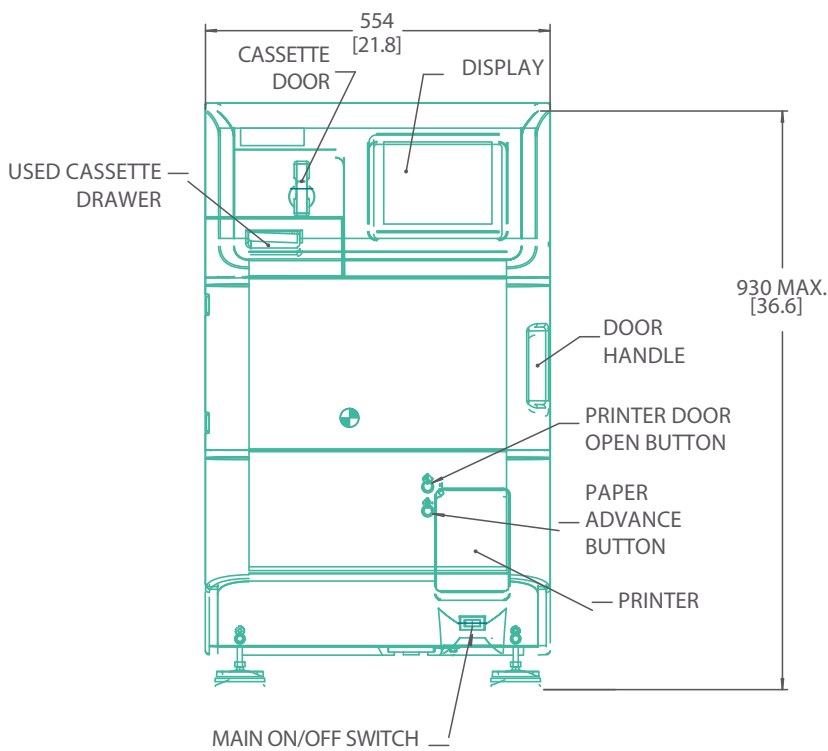




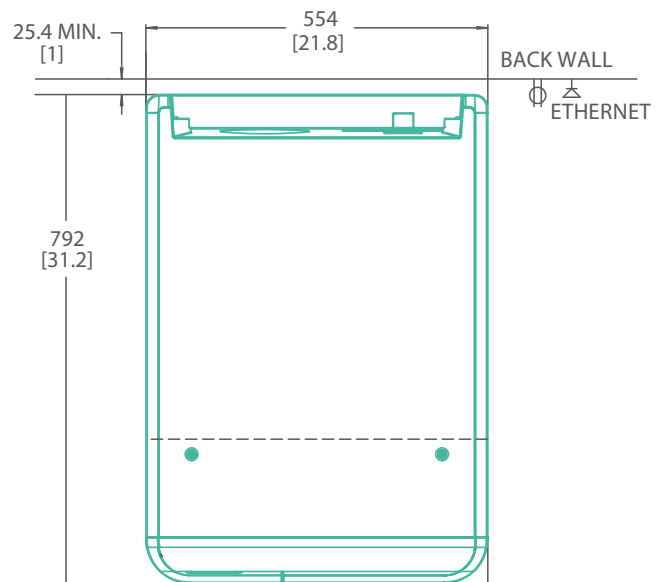
Space Planning Dimensions

LEGEND

Millimeters
[Inches]

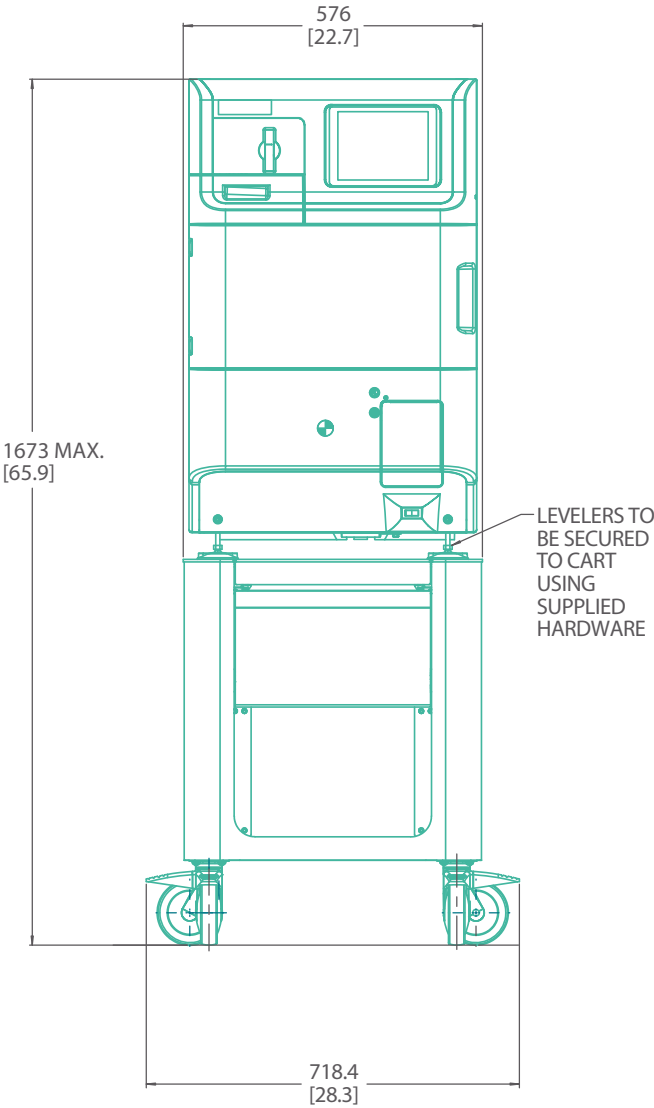


FRONT VIEW
COUNTER TOP/TABLE INSTALLATION

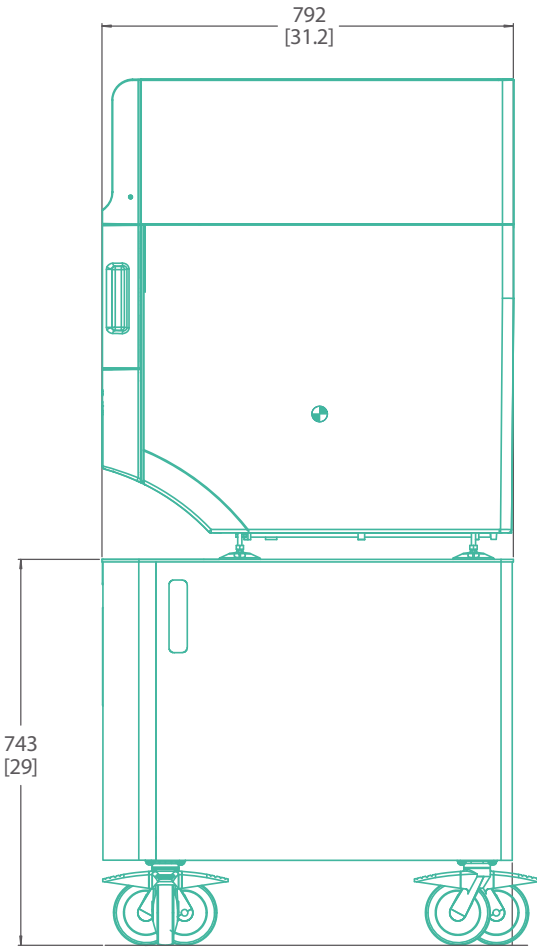


TOP VIEW
COUNTER TOP/TABLE INSTALLATION





FRONT VIEW
CART INSTALLATION



SIDE VIEW
CART INSTALLATION

STERRAD NX™ with






asp.com

ASP Advanced Sterilization Products

ASP International GmbH, Zug Branch
Bahnhofstrasse 2, Zug 6300, Switzerland
©ASP 2021. All Rights Reserved.

CE
0123

 **ADVANCED STERILIZATION PRODUCTS, INC.**
33 Technology Drive, Irvine CA 92618, USA

EC REP ASP, The Netherlands BV
BIC 1, 5657 BX Eindhoven, The Netherlands

Capitalized product names and ALLClear™ are trademarks of ASP™ Global Manufacturing, GmbH.
Important information: Prior to use, refer to the complete Instructions for Use (IFU) supplied with the device(s) for proper use, indications, contraindications, warnings and precautions.

AD-170009-01-CT_D-MDR